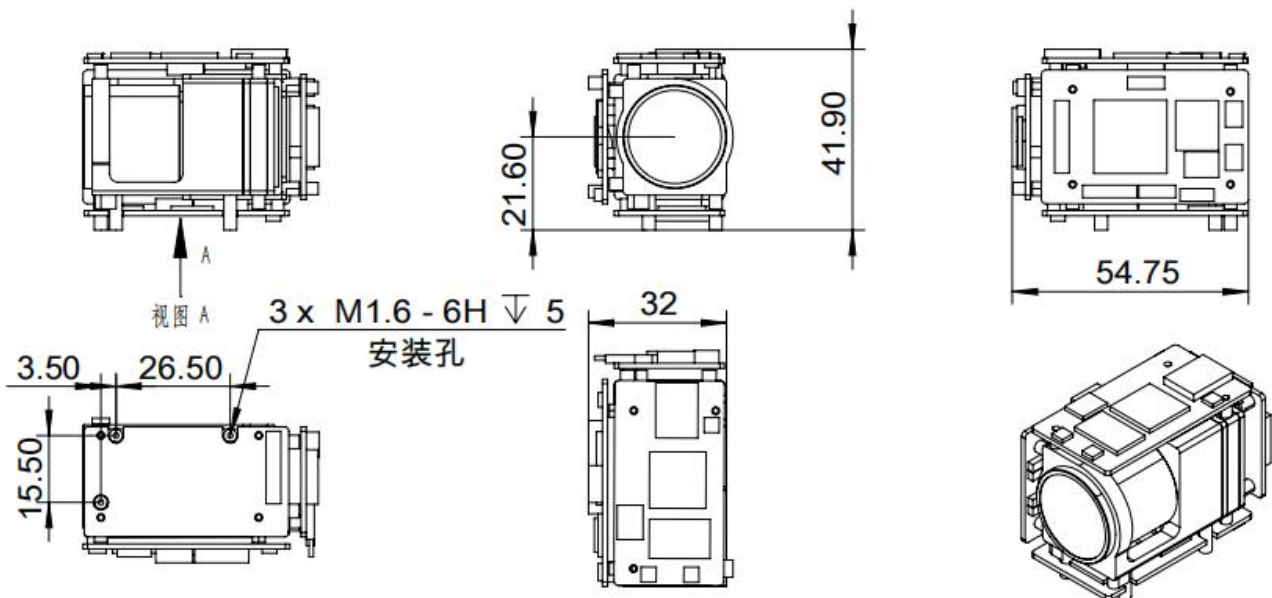


Product highlights:

1. Integrated Video Tracking
2. High image quality and scene adaptability
3. No shutter (NUC) technology
4. On-line temperature measurement, false color display
5. Support for external input video (picture-in-picture)
6. OSD interface display
7. Custom character overlays
8. Rich communication interfaces
9. Small size, low power consumption

Dimensions



Parameters

MODEL		SD2K-0C1	SD2K-0C2
Imaging index	Working format	Un-cooled 8μm~14μm	
	Resolution	640×480	
	Size of pixel	12μm	
	Emissivity correction	Emissivity0.01~1 adjustable	
	NETD	≤50mK (@25°C)	
	MRTD	≤550mK (under characteristic frequency)	
	Color palette	Black hot/white hot/pseudo color	
	Digital zoom	2X、3X、4X	
	Temperature measurement	Temperature bar with highest/lowest/center temperature spot	
	Measurement range	0°C~120°C	
Tracking index	Data refresh rate	25Hz (IR) / as Sony core (visible light)	
	Tracking velocity	± 32 pixels / frame	
	Target size	16x16 ~ 128x128 pixels	
Environmental adaptation	Working temperature	-40°C ~ 60°C	
	Storage temperature	-40°C ~ 65°C	
Electrical interface	Communication interface	TTL	
	Video Input	LVDS	
	Video Output	LVDS+Net	SDI+Net
	Video storage	The SD card stores JPEG images/h. 264, H265, and MP4 Video (32 gigabytes from the factory, up to 128 gigabytes)	
	Power input	DC 12V	
Others	Weight	< 155g	
	Lens	18mm/24mm	
	Power consumption	≤4.6W (@25°C)	